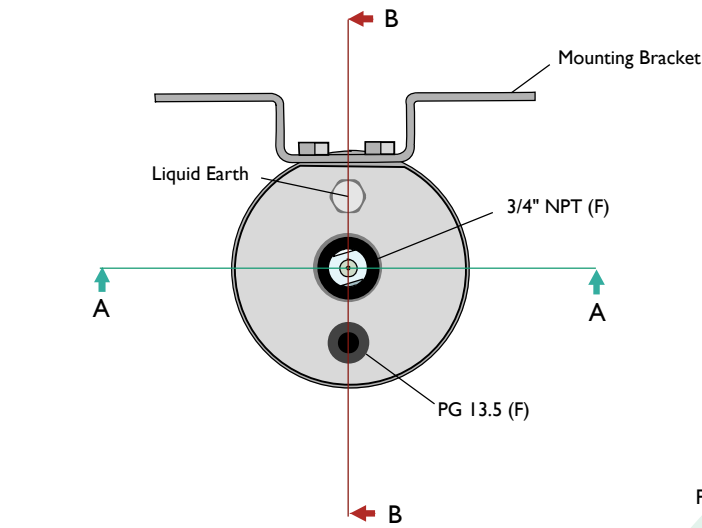


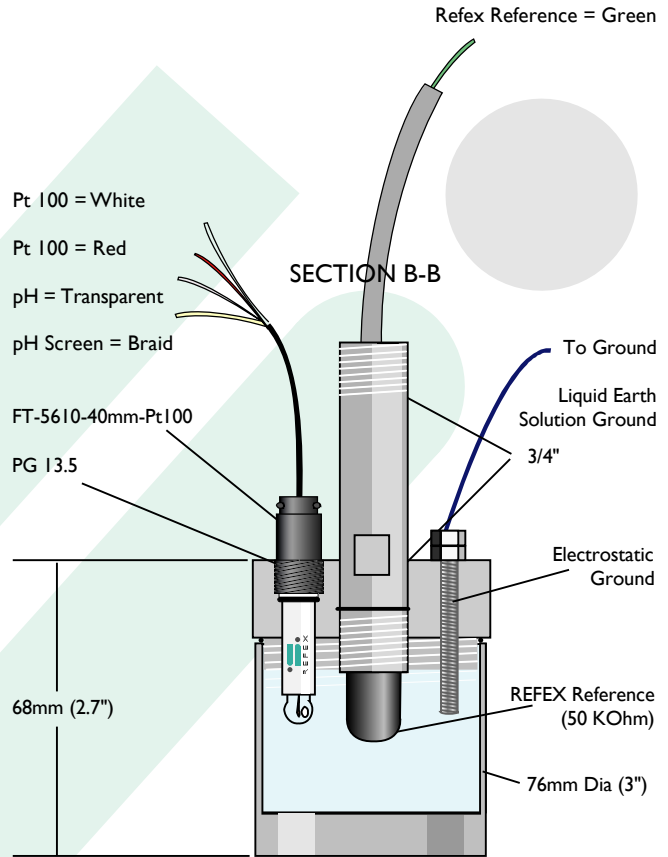
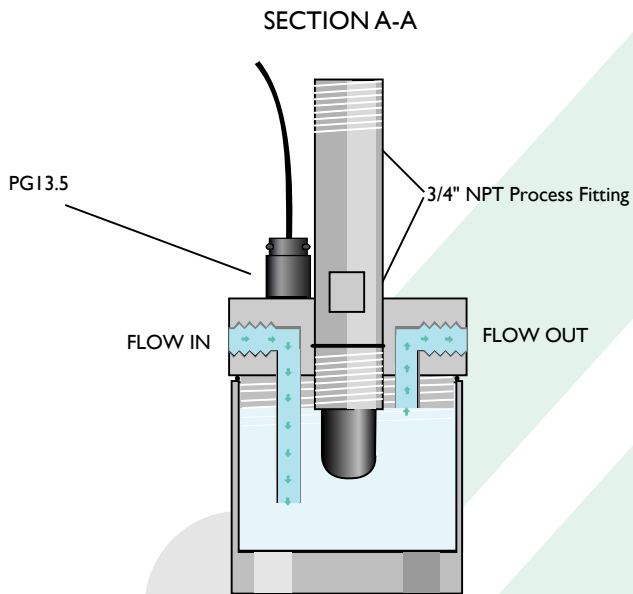
Reflex pH System for Stack Gas Scrubbers



LASTS 3 TIMES LONGER ... ZERO MAINTENANCE



Wetted Surfaces:
316 Stainless Steel Flow Cell
Pt100
pH Glass Electrode & Ryton Body
Viton 'O' Rings
REFEX Reference



Equipment:
316 SS Flowcell: Process Fittings 3/4" NPT & Pgl 3.5 Type SS-FC-3/4"-PG
REFEX Reference Electrode: Type EC-3/4"-5710-30mm
pH Glass Electrode: Type EC-FT-5610-40mm-Pt100

Specifications:
pH Range : 0-13.5
Temp Range : 0-90°C
Pressure : 300psi @ 50°C
Eo Point : pH 7.00 ± pH 0.3
Impedence : pH Glass 150 MOhm : REFEX Ref. 50 kOhm
Flow Rate : 2 Litres/min

mail address:

REFEX SENSORS LTD.
PHILI'S OAK, MURRISK
CO.MAYO, REP. OF IRELAND

telephone/fax:

TEL:+353 (0)98 64972
TEL:+353 (0)98 64973
FAX:+353 (0)98 64974

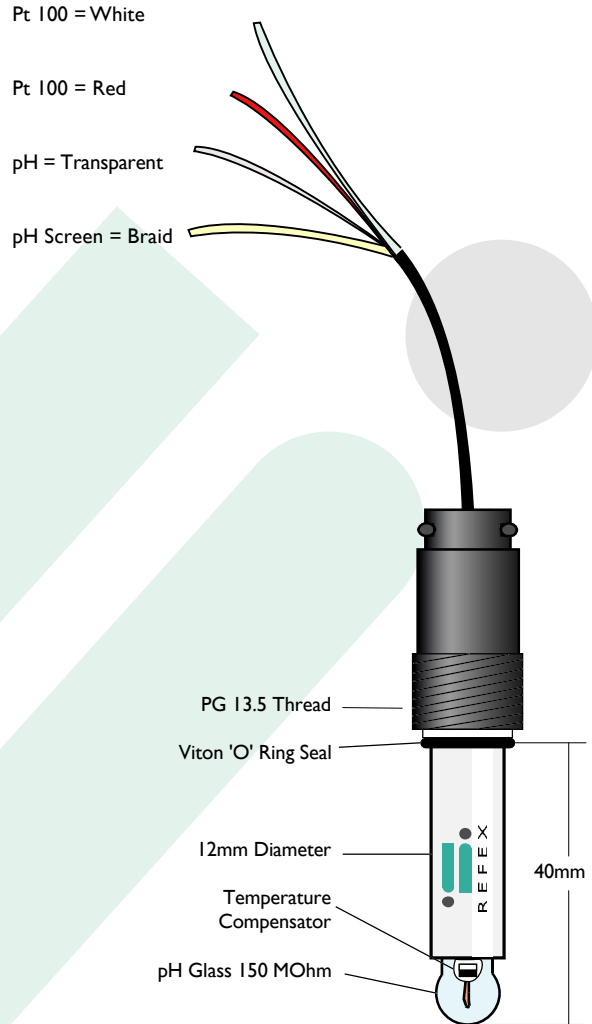
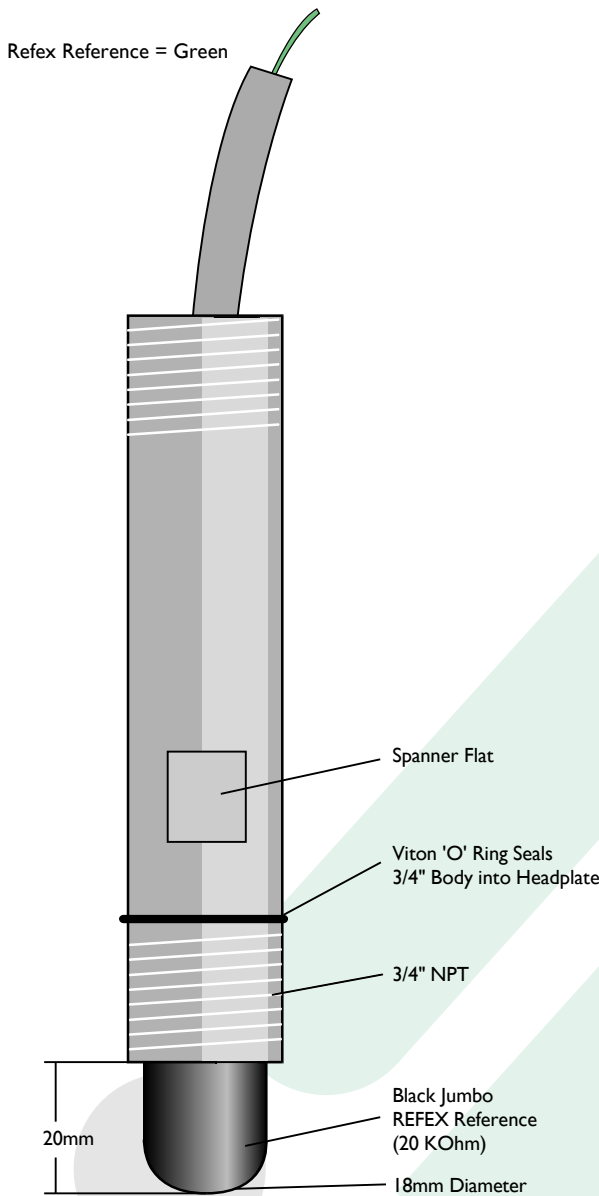
bank details:

A I B, Shop St, Westport, Co.Mayo
Account Number: 03311024
Sort Code: 93 71 69 - Swift: AIBKIE2D
VAT Number. : 6380870 I

internet:

tech@refexsensors.com
admin@refexsensors.com
www.refexsensors.com

Refex pH System for Stack Gas Scrubbers



REFEX Reference Electrode:	
Temp Range	: 0-90°C
Impedence	: 20 kOhms
Process Fitting	: 3/4" NPT
Cable Options	: 1m/3m/5m/10m
	: Please Specify
Wetted Surfaces	: Refex Reference, : Ryton Body, Viton O Ring
Part No.	: EC-3/4"-5710-JUMBO-30mm

pH Glass Electrode with Pt 100:	
pH Range	: 0-13.5
Temp Range	: 0-90°C
Process Fitting	: Pg13.5
Cable Options:	: 1m/3m/5m/10m
	: Please Specify
Part No.	: EC-FT-5610-40mm

mail address:

REFEX SENSORS LTD.
PHILI'S OAK, MURRISK
CO.MAYO, REP. OF IRELAND

telephone/fax:

TEL:+353 (0)98 64972
TEL:+353 (0)98 64973
FAX:+353 (0)98 64974

bank details:

A I B, Shop St, Westport, Co.Mayo
Account Number: 03311024
Sort Code: 93 71 69 - Swift: AIBKIE2D
VAT Number. : 6380870 I

internet:

tech@refexsensors.com
admin@refexsensors.com
www.refexsensors.com

LASTS 3 TIMES LONGER ... ZERO MAINTENANCE