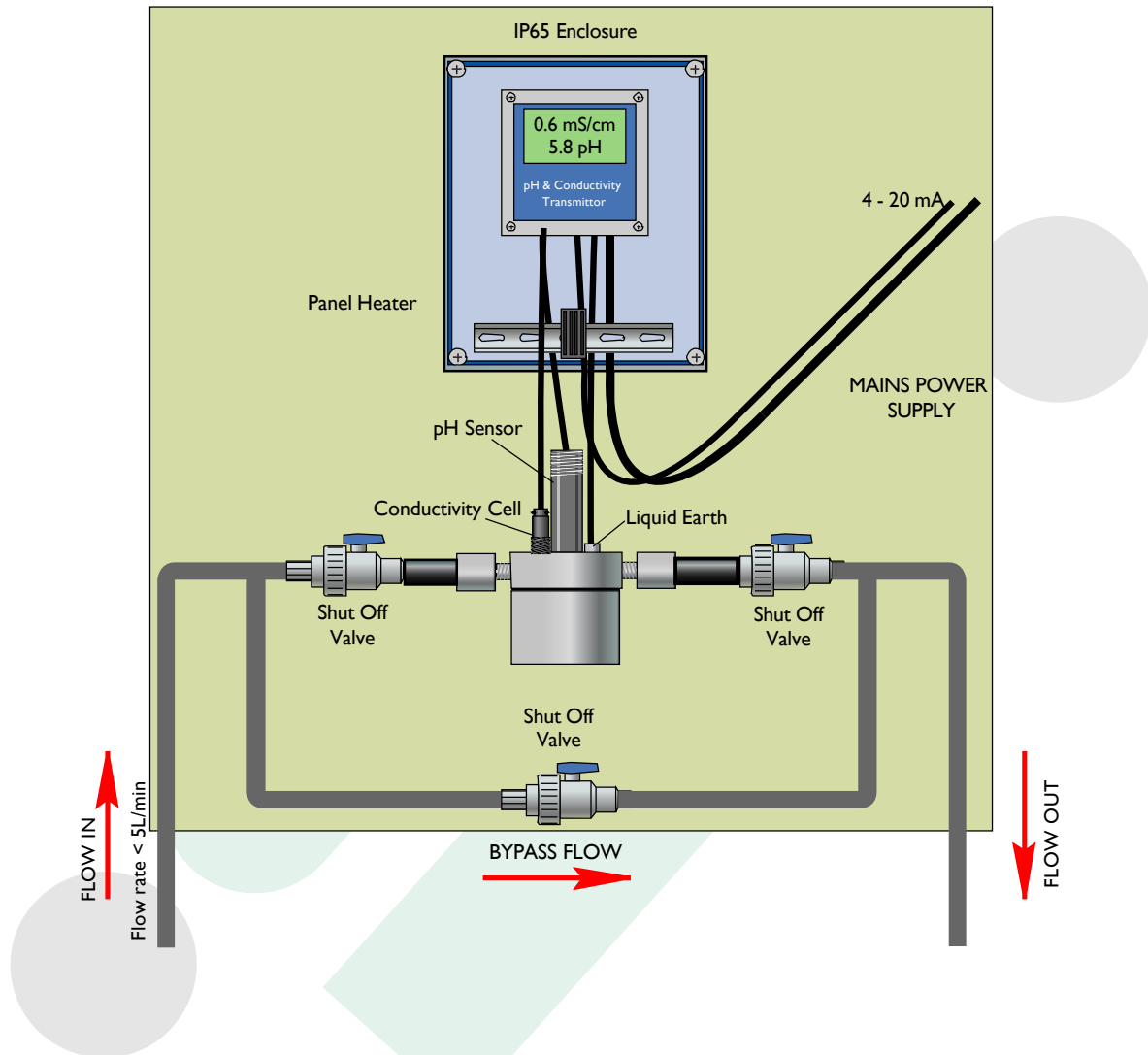


REFEX System for Ultra Pure Water pH & Conductivity



Equipment:

EC-FT-3/4"BSP-5710-25mm-TC
 EC-FT-PG13.5-5610-25mm
 1 x UPW Flow Cell
 1 x UPW Bypass System
 1 x pH & Conductivity Transmitter
 1 x IP65 Enclosure
 1 x Panel Heater
 1 x Back Panel

mail address:

REFEX SENSORS LTD.
 PHILI'S OAK, MURRISK
 CO.MAYO, REP. OF IRELAND

telephone/fax:

TEL:+353 (0)98 64972
 TEL:+353 (0)98 64973
 FAX:+353 (0)98 64974

bank details:

AIB, Shop St, Westport, Co.Mayo
 Account Number: 03311024
 Sort Code: 93 71 69 - Swift: AIBKIE2D
 VAT Number: : 6380870 I

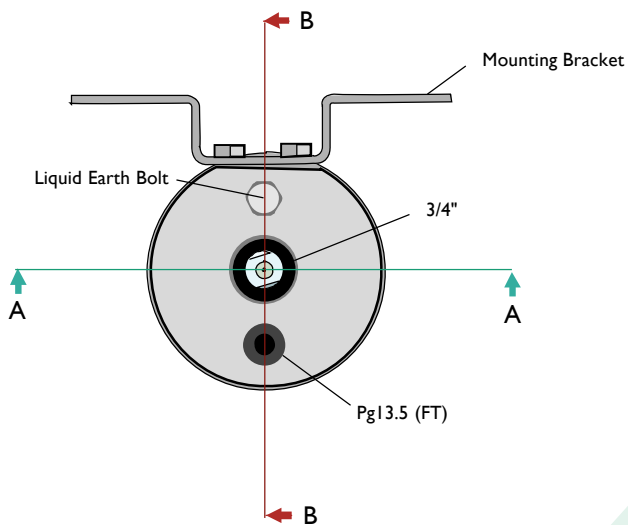
internet:

tech@refexsensors.com
 admin@refexsensors.com
 www.refexsensors.com

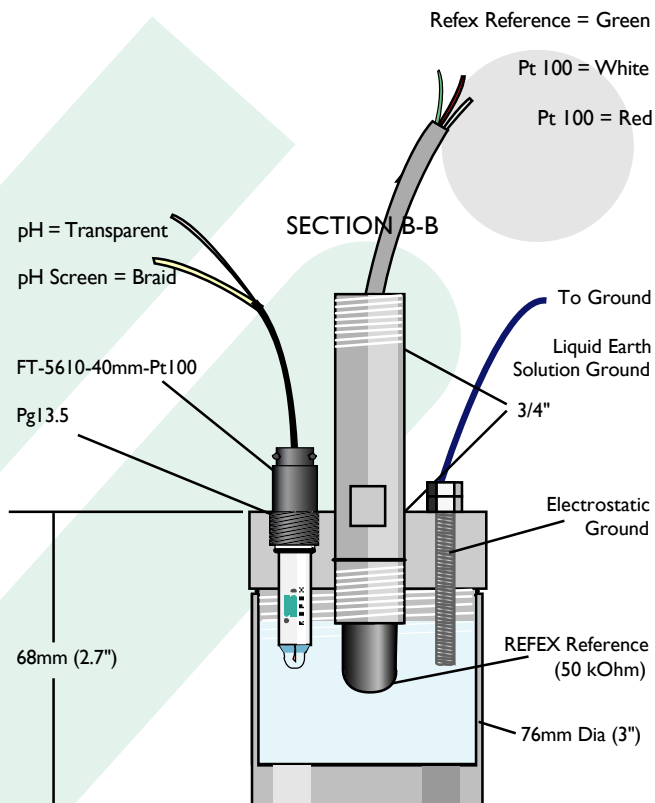
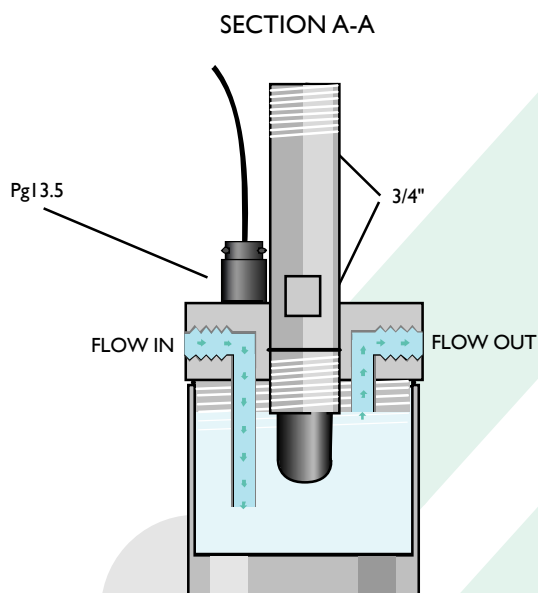
Reflex pH 316 Flow Cell



LASTS 3 TIMES LONGER ... ZERO MAINTENANCE



Wetted Surfaces:
316 Stainless Steel Flow Cell
Pt100 Glass Body
pH Glass Electrode & Ryton Body
Viton 'O' Rings
REFEX



Equipment:
316 SS Flowcell: Process Fittings 3/4" NPT & Pg13.5 Type SS-FC-3/4"-PG
REFEX Reference Electrode: EC-FT-3/4"BSP-5710-25mm-TC
pH Glass Electrode: EC-FT-PG13.5-5610-25mm

Specifications:	
pH Range	: 0-13.5
Temp Range	: 0-90°C
Pressure	: 20 Bar @ 50°C
Eo Point	: pH 7.00 ± pH 0.3
Impedance	: pH Glass 150 MOhm : REFEX Ref. 50 kOhm
Flow Rate	: 2 Litres/min

mail address:

REFEX SENSORS LTD.
PHILI'S OAK, MURRISK
CO.MAYO, REP. OF IRELAND

telephone/fax:

TEL:+353 (0)98 64972
TEL:+353 (0)98 64973
FAX:+353 (0)98 64974

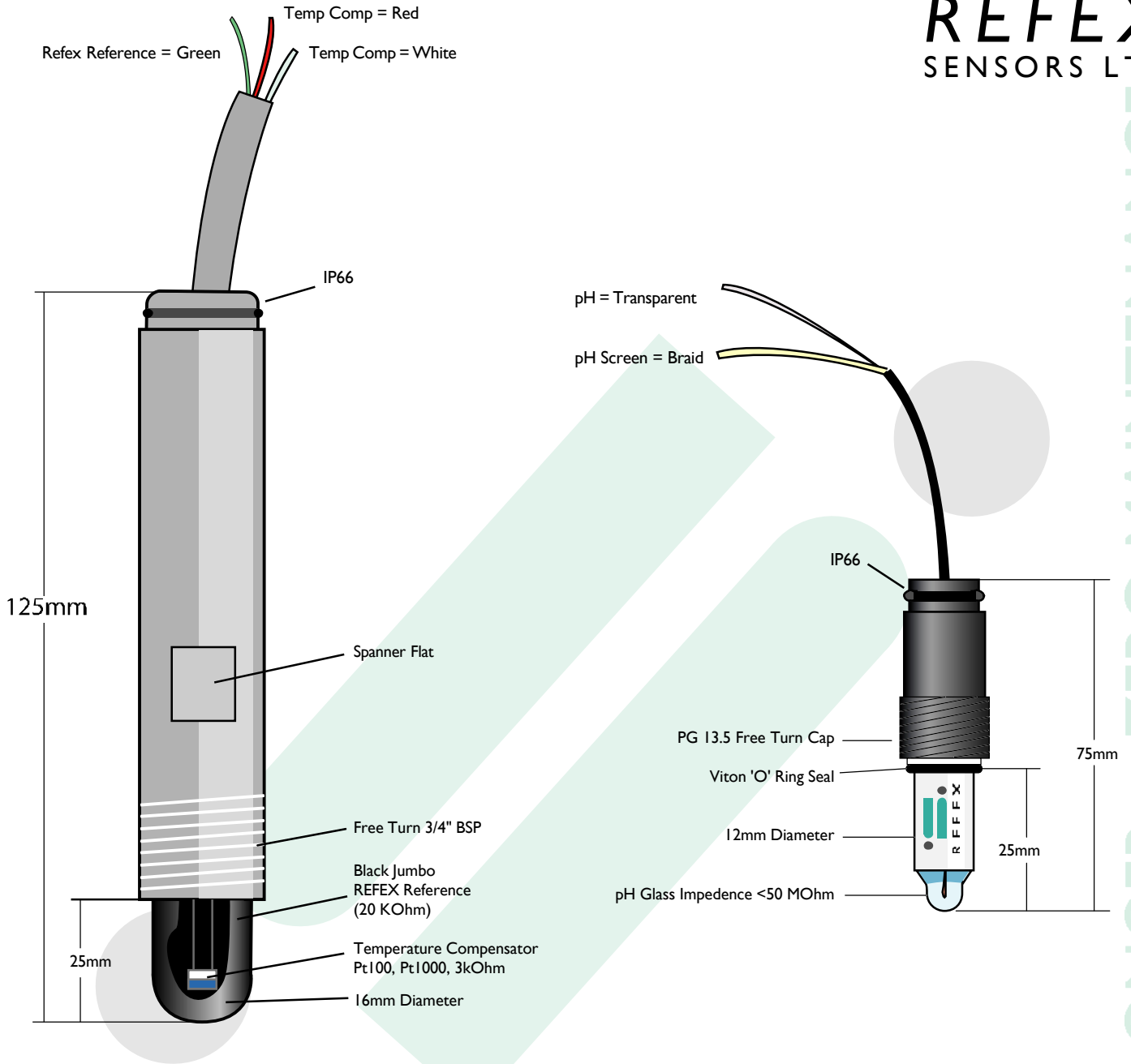
bank details:

A I B, Shop St, Westport, Co.Mayo
Account Number: 03311024
Sort Code: 93 71 69 - Swift: AIBKIE2D
VAT Number. : 6380870 I

internet:

tech@refexsensors.com
admin@refexsensors.com
www.refexsensors.com

Reflex pH System for Ultra Pure Water



REFEX Reference Electrode:

Temp Range	: 0-90 DegC
Impedence	: 20 kOhms
Process Fitting	: 3/4" BSP
Cable Options	: 1m/3m/5m/10m (Please Specify)
T.C. Options	: Pt100, Pt1000, 3kOhm (Please Specify)
Wetted Surfaces	: Reflex Reference, : Ryton Body, Viton 'O' Ring
Part No.	: EC-FT-3/4"BSP-5710-25mm

pH Glass Electrode:

pH Range	: 0-13.5
Temp Range	: 0-90 DegC
Process Fitting	: PG 13.5
Cable Options	: 1m/3m/5m/10m : (Please Specify)
Part No.	: EC-FT-PG13.5-5610-25mm

mail address:

REFEX SENSORS LTD.
PHILI'S OAK, MURRISK
CO.MAYO, REP. OF IRELAND

telephone/fax:

TEL:+353 (0)98 64972
TEL:+353 (0)98 64973
FAX:+353 (0)98 64974

bank details:

A I B, Shop St, Westport, Co.Mayo
Account Number: 03311024
Sort Code: 93 71 69 - Swift: AIBKIE2D
VAT Number. : 6380870 I

internet:

tech@refexsensors.com
admin@refexsensors.com
www.refexsensors.com

LASTS 3 TIMES LONGER ... ZERO MAINTENANCE