

# Backscatter TriClamp Process Probe

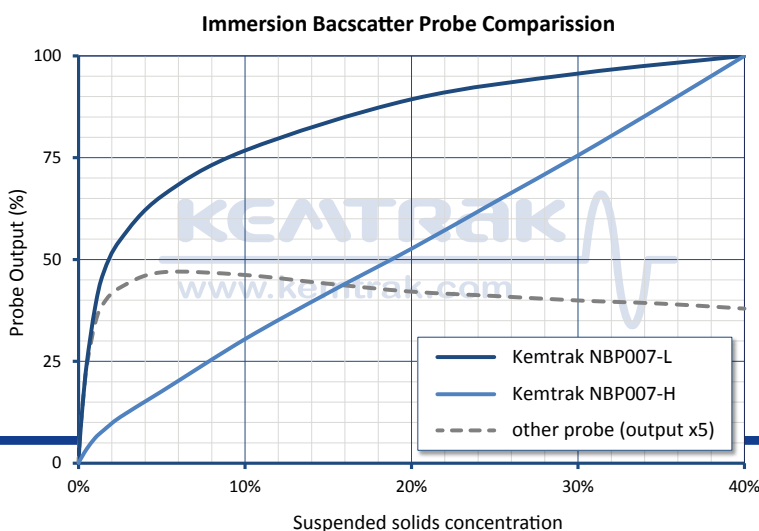
## Applications:

- Interface detection
- Concentration measurement
- Product differentiation & identification
- Control & optimize CIP cycles

The Kemtrak backscatter TriClamp process probe is designed to accurately measure low to extremely high turbidity directly in pipelines. The probe uses a standard DN25/1" TriClamp sanitary type process connection making it suitable for direct mounting on any size pipeline greater than DN25/1" diameter.

The dual fiber optic design of the immersion probe provides high resolution at low turbidity with excellent linearity all the way up to extremely high turbidity when used with a Kemtrak NBP007 near-infrared backscatter photometer.

A unique benefit of the Kemtrak backscatter immersion probe is that it does not go blind at high sample turbidity. Other probes will stop working at 4000 NTU/FNU (<1 wt% solids) after which the signal will decrease resulting in an erroneous and misleading output. The output of the Kemtrak probe will continue to increase with sample concentration ensuring a reliable measurement.



The probe is manufactured in 316L stainless steel with a robust scratch resistant sapphire window. The highly polished unbroken probe surface ensures freedom from fouling and suitability for sanitary applications.

The fiber optic immersion probe has no electronics that will be damaged by high temperature process streams or sterilization cycles and is suitable for hazardous area use.

All Kemtrak products are made from the highest quality materials and are designed to the most demanding specifications to ensure long life and the highest reliability.

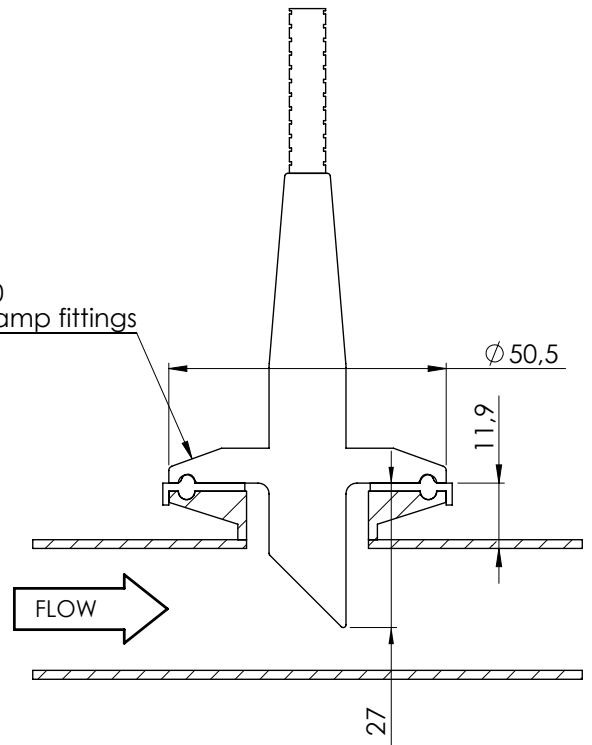
**KEATRAK**  
www.kemtrak.com



**Technical Data**  
**Backscatterer TriClamp Probe**



Compatible with  
DN 25, DN32, DN40  
1" and 1½" pipe clamp fittings



**Benefits:**

- 5 ... > 4000 FTU (up to 100% solids)
- Standard TriClamp type sanitary fitting (ISO 2852 & DIN 32676)
- Sapphire window is mounted from inside of probe and sealed using o-rings (no epoxy) - impossible to fall out in the process
- Suitable for installation in hazardous area (Ex proof)

**Measurement Range**  
5 FNU/NTU - 100% solids

**Manifold**  
Sanitary Tri-Clamp® clamp type fitting  
ISO 2852 & DIN 32676  
Compatible with 50,5 +0/-0,19 mm outside diameter (DN25, DN32, DN40, 1" and 1½").

**Material**  
Stainless EN 1.4435 / 316L

**Window**  
Sapphire

**Surface Finish**  
Ra < 0.4 µm

**Elastomers**  
EPDM (FDA), FKM (FPM, Viton®, Fluorel®), FFKM (Kalrez® Spectrum 6375)

**Operating Conditions**  
Ambient & process temperatures up to 260°C (500°F)  
Process pressure from 10 mbar to 16 bar  
Operating conditions subject to material and design in use

**Fibre Optic cable**  
Silica core photonic fiber with fully-interlocked flexible stainless steel jacket and Kevlar® reinforcement  
Terminated with SMA 905 connectors  
Lengths up to 100 m (328 foot)

**Protection**  
IP66 / EN 60529

**Recommended Controller**  
Kemtrak NBP007 backscatter photometer



Kemtrak AB • Box 2940 • SE-187 29 Stockholm • Sweden  
Info@kemtrak.com • www.kemtrak.com

*We reserve the right to make changes  
without previous notice*

Distributor

*Kemtrak is a leading manufacturer of fiber optic measuring and automation products for the process engineering industry. The Company provides tailor made solutions to meet the needs of a wide range of industries including chemical, petrochemical & offshore, pharmaceutical, food & beverage, pulp and paper and water & environment. With its headquarters in Stockholm Sweden, Kemtrak has trained representatives and support personnel globally. The main manufacturing facility in Gothenburg, Sweden is certified according to ISO 9001:2000.*