

EXdip 910 DN50 / ANSI 2" stainless steel



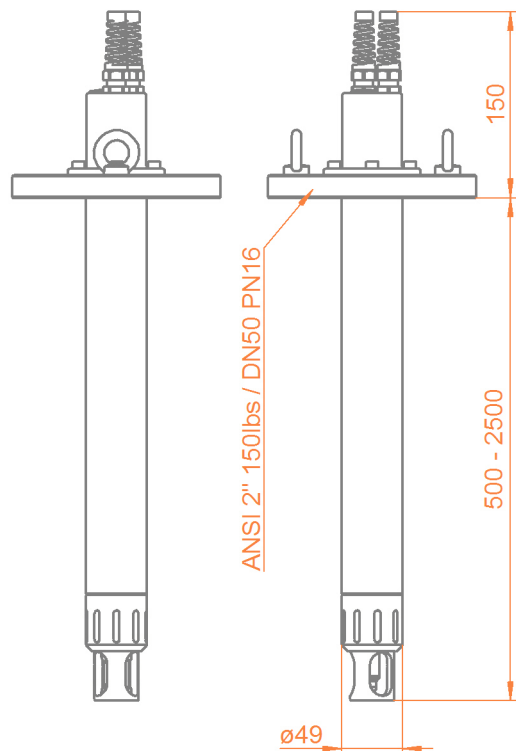
- › Robust design
- › Integrated orbital sensor cleaning system
- › Extension of sensor-lifetime and reduction of maintenance efforts
- › Easy installation and removal of the sensor holder
- › Stainless steel AISI 316L / 1.4404
- › Immersion length 500-2500mm
- › Minimum size DN50 / 2"

EXdip 910 is an immersion holder made of stainless steel with flanged connection and integrated orbital sensor cleaning system for nominal diameter DN50 / 2".

Specifications

Max. pressure	10 bar
Max. temperature	140°C
Material	1.4404 / AISI 316L
Sealing material	EPDM or FPM (Viton)
Immersion lengths	0.5 up to 2.5meters
Flange sizes	DIN DN50 / ANSI 2"
Sensor cleaning	integrated orbital spray cleaning (option)
Certificates	material

Dimensions



EXdip 910 DN50 / ANSI 2" stainless steel



Protective cage and coupling nut for the installation and removal of the sensor



Protective cage with integrated orbital spray cleaning



Flanges according to DIN and ANSI standard

Ordercode

Code	Material (wetted parts)	Delivery
4404	Stainless steel 1.4404 / 316L	3 weeks

Code	Sealing Material (wetted sealings)	Delivery
EPD	EPDM/FDA/USP VI	3 weeks
FPM	FPM (Viton)	3 weeks

Code	Sensor type	Delivery
120	120mm PG 13,5 Ø12mm	3 weeks
N34	for sensor types with MNPT 3/4" (only "NC")	6 weeks
N10	for sensor types with MNPT 1" (only "NC")	6 weeks

Code	Process Connection	Delivery
D50	Flange DN50 PN16	3 weeks
A20	Flange ANSI 2" 150lbs	3 weeks

Code	Immersion length	Delivery
05	0.5 meter	3 weeks
10	1 meter	3 weeks
15	1.5 meters	3 weeks
20	2 meters	3 weeks
25	2.5 meters	3 weeks

Code	Cleaning	Delivery
NC	without	3 weeks
SC	with integrated spray cleaning	3 weeks