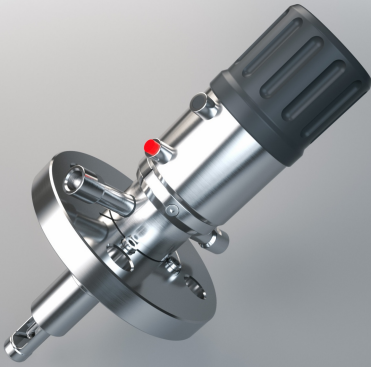


EXtract 810M stainless steel



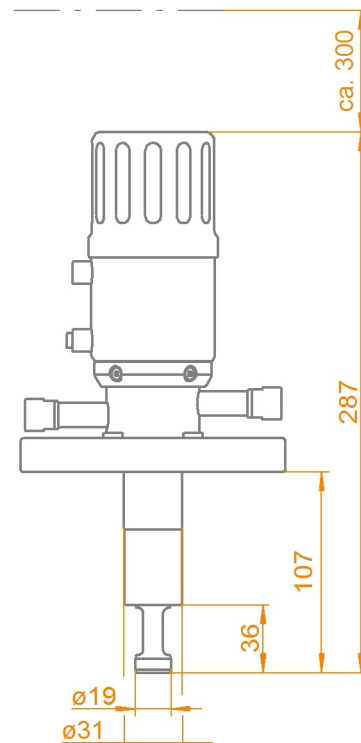
- › Robust design, integrated scraper
- › Automatic locking system with indicators for measurement- and service position
- › Automatic safety lock while sensor is removed
- › Safe handling under higher process pressure due to unique rotary drive
- › Stainless steel AISI 316L / 1.4404 or Alloy
- › Immersion length up to 107mm
- › Usable in ATEX-areas

EXtract 810M is a manual retractable holder made of stainless steel for installation of $\varnothing 12$ mm sensors on tanks or pipelines with an unique rotary drive unit

Specifications

Process pressure	0...16bar
Process temperature	-10...140°C
Ambient temperature	-10...70°C
Immersion length	up to 107mm
Sensors	$\varnothing 12$ -225mm PG 13.5
Materials	stainless steel 1.4404 /316L, Alloy C22 (2.4602)
Sealings	EPDM, FPM (Viton), FFKM (Kalrez)
Process connection	Flange DN32, DN40, DN50, ANSI 1 1/4", ANSI 1 1/2", ANSI 2", MNPT 1 1/4", TriClamp 1.5", TriClamp 2"
Cleaning ports	G1/8", G1/4", FNPT 1/4"
Operating power	manual
Limit switches	optional electrical NAMUR switches

Dimensions



Certificates



EXtract 810M stainless steel



Protecting cage in process position



Usable for industrial applications



Process parts with sensor in measuring position

Ordercode

Code	Material (wetted parts)	Delivery
4404	Stainless steel 1.4404 / 316L	2 weeks
HC22	Alloy C22 2.4602	6 weeks

Code	Sealing Material (wetted sealings)	Delivery
EPD	EPDM/FDA/USP VI	2 weeks
FPM	FPM (Viton)	2 weeks
FKM	FFKM (Kalrez)	3 weeks

Code	Sensor type	Delivery
225	225mm PG 13,5 gel-filled	2 weeks
280	280mm PG 13,5 liquid filled	2 weeks

Code	Process Connection	Delivery
D32	Flange DN32 PN16	2 weeks
D40	Flange DN40 PN16	2 weeks
D50	Flange DN50 PN16	2 weeks
A14	Flange ANSI 1 1/4" 150lbs	2 weeks
A12	Flange ANSI 1 1/2" 150lbs	2 weeks
A20	Flange ANSI 2" 150lbs	2 weeks
N14	NPT M 1 1/4"	2 weeks
TC20	TriClamp 2.0 (OD Ø64mm)	2 weeks
TC15	TriClamp 1-1,5" (OD Ø50.5mm)	2 weeks

Code	Cleaning Connection	Delivery
G18	G 1/8" female thread	2 weeks
G14	G 1/4" female thread	2 weeks
N14	1/4" NPT female thread	2 weeks

Code	Position switch	Delivery
00	without	2 weeks