

# PowerMon Compact

ON-LINE ANALYSING UNIT

## General

In process water and environmental monitoring higher energy costs and regulatory requirements make continuous quality controls essential. On-line measurements are necessary to identify immediately if limits are exceeded.

In the process control, our analytical equipment guarantees a reliable control, ensure consistent product quality, and contribute to the safety and efficiency.

## Advantages

- High accuracy and repeatability
- Long product life
- Short response time
- Low reagent need
- Little space requirement
- Portable type as option
- Optional 2<sup>nd</sup> sample line

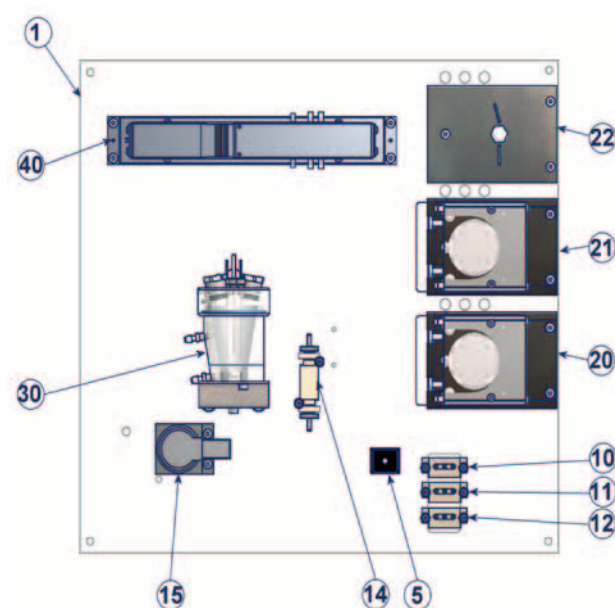
## Application area

- Surface water control in rivers and lakes
- Ground water control
- Swimming pool quality control
- Water treatment plant control
- Sewage plant control
- Industrial water control  
(e.g. cooling water, boiler feed water)

In North America:



[www.southforkinstruments.com](http://www.southforkinstruments.com)



PowerMon Compact analyzer plate

- |                     |                               |
|---------------------|-------------------------------|
| 1. Photometer       | 5. Drain valve                |
| 2. Peristaltic pump | 6. Reaction or sample heating |
| 3. Sample valve     | 7. Calibration valve          |
| 4. Sample detector  | 8. Titration vessel           |

Only 1 or 2 sample lines are possible on the PowerMon Compact.

The PowerMon Compact has no own display. An optional external display can be connected for communication.

## TECHNICAL DATA

No. of measuring points:	1 – 2
Cycle time:	Kolorimeter/Silikometer/Ionometer: 6 - 15 min typically Titrometer: variable
Signal output:	2-fold 0/4...20 mA, zero selectable, maximum burden 500 Ohm, galvanically isolated, test voltage 1000 V AC. Connection: SPEEDCON M12 male 4-pin
General alarm, Limit alarm signal: Voltage-free normally open contacts:	4 voltage-free normally open contacts are provided, max. load: 30 V DC 6 A; 60 V DC 0.6 A; 110 V DC 0.2 A; 250 V AC 6 A Connection: SPEEDCON M12 male 8-pin (optional)
Signal input:	Voltage-free normally open contact, max. load: 30 V DC 6 A; 60 V DC 0.6 A; 110 V DC 0.2 A; 250 V AC 6 A Connection: SPEEDCON M12 female 8-pin (optional)
Sample quantity:	At least 1 - 3 l/h (depending on application), particle-free
Max. sample feed pressure	Unpressurized
Sample temperature: with sample heating (option):	15 – 45 °C (288 - 318 K) 1 – 45 °C (274 – 318 K)
Connection:	Flexible tubing (PVC, PVDC, Viton, etc.) ID 1.5 - 3 mm
Waste outlet:	Unpressurized, flexible PVC tube ID 10 mm
Ambient temperature:	15 - 35°C (288 - 308 K); even less with sample heating
Rated voltages:	24 VDC (85 ... 264 VAC at 47 ... 63 Hz with external power supply)
Mains connection:	4-pin M12 SPEEDCON female, A-coded
Power requirement:	max. 108 VA
Protection:	IP 54 (with housing only) IP 65 (optional)
Device class:	Class A (according to DIN EN 61326:2004)
Interfaces:	USB : For data download and software update LAN : Network connection Modem : Optional CAN bus : For connection of external sensors
Dimensions H x W x D Plate only with housing: Required space with appended display, handles, cords and connections:	400 x 417 x 220 mm 450 x 450 x 240 mm 450 x 550 x 250 mm
Weight	In frame with housing
	PowerMon Compact (plate only): 05 – 11 kg PowerMon Compact: 18 – 25 kg PowerMon Compact Portable (Alu): 09 – 16 kg
	All sizes and weights without reagents!

We reserve the right to make technical changes without notice.



**SPX**

NORTH AMERICA DISTRIBUTION



www.southforkinstruments.com

SPX Flow Technology Norderstedt GmbH - Werkstraße 4 - D-22844 Norderstedt  
Phone: +49 40 52202-0 Fax: +49 40 52202-444 E-Mail: branluebbe@spx.com

SPX reserves the right to incorporate our latest design and material changes without notice or obligations.

Design features, materials of construction and dimensional data, as described in this bulletin, are provided for your information only and should not be relied upon unless confirmed in writing. Please contact your local sales representative for product availability in your region. For more information visit [www.spx.com](http://www.spx.com).

"The green ">" is a trademark of SPX Corporation, Inc."