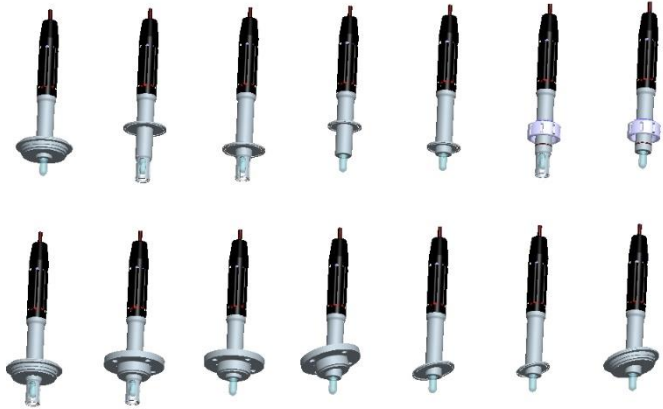


EXstatic

TECHNICAL INFORMATION

Static probe housing



All brand and product names are trademarks of the company:

EXNER PROCESS EQUIPMENT GmbH

Imprint

Distributed by:

Exner Process Equipment GmbH

Carl-Metz-Str. 26

D-76275 Ettlingen

For Support, Contact:



www.southforkinstruments.com

Tel: 925 461 5059

Date of issue: 2021-11-11

As per: 05.12.2018

File: EXstatic BA en 181205

© 2020, Dipl.-Ing. [Graduate Engineer] Detlef Exner

All rights reserved, including the translation.

The reproduction of the content in these operating instructions is subject to prior written approval by EXNER PROCESS EQUIPMENT GMBH, ETTLINGEN.

All technical information, drawings, etc. is subject to the protection of copyright law.

Technical modifications reserved.

Printed on chlorine-free and acid-free pulp paper.

Table of contents

| | | |
|----------|--|-----------|
| 1 | Technical data | 4 |
| 1.1 | Standards | 4 |
| 1.2 | Material properties | 4 |
| 1.3 | Dimensions | 5 |
| 1.4 | Environmental conditions | 7 |
| 1.5 | EXstatic 3XX process conditions | 8 |
| 1.6 | Identification plate | 8 |
| 2 | Product description | 9 |
| 2.1 | Static probe housing EXstatic | 9 |
| 2.1.1 | Components | 9 |
| 2.1.2 | Versions | 9 |
| 2.2 | Process integration | 10 |
| 3 | Ordering structure | 12 |
| 3.1 | EXstatic 310 probe housing - G 1 1/4" connection | 12 |
| 3.2 | EXstatic 311 probe housing - TriClamp connection | 13 |
| 3.3 | EXstatic 312 probe housing - hygienic connection | 14 |
| 3.4 | EXstatic 315 probe housing 15° inclined | 15 |
| 4 | Spare parts and accessories | 16 |
| 4.1 | Certificates | 16 |
| 4.2 | Weld-in socket G 1 1/4" connection | 16 |
| 4.3 | Sealing kits | 16 |
| 4.4 | Protective caps | 16 |
| 5 | Certificates and compliance | 17 |

1 Technical data

1.1 Standards

The following standards were applied when manufacturing the static probe housing:

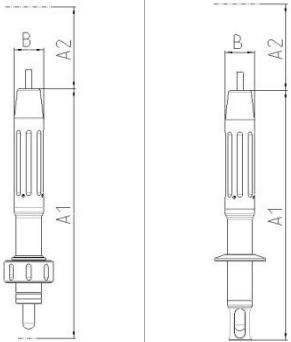
- Pressure Equipment Directive

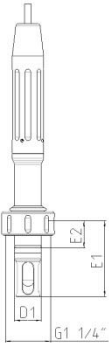
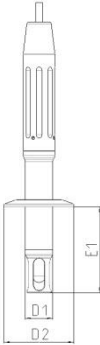
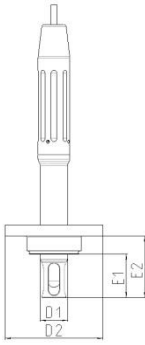
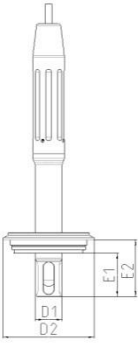
1.2 Material properties

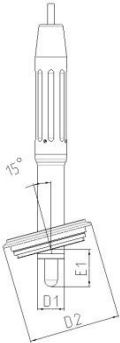
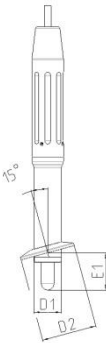
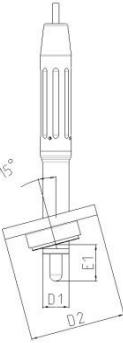
| Wetted components | | |
|-------------------|-----------------|-------------------------|
| Probe housing | | |
| EXstatic | Stainless steel | Seals |
| 310 | 1.4404/316 L | EPDM (FDA, USP VI), FPM |
| 311 | 1.4404/316 L | EPDM (FDA, USP VI), FPM |
| 312 | 1.4404/316 L | EPDM (FDA, USP VI), FPM |
| 315 | 1.4404/316 L | EPDM (FDA, USP VI), FPM |

| Not wetted components | |
|-----------------------|-------------|
| Protection Cap | |
| EXstatic | Material |
| 3XX | PA 6.6.GF30 |

1.3 Dimensions

| Static probe housing | |
|----------------------|---|
| |  |
| Measurements [mm] | EXstatic |
| | 310 / 311 / 312 / 315 |
| A1 | 252 |
| A2 | 200 |
| B | 29 |

| EXstatic process connector | | | | |
|----------------------------|--|---|---|---|
| | A | B | C | D |
| | G 1¼" | TriClamp | BioControl D50 | Varivent |
| |  |  |  |  |
| Measurements [mm] | EXstatic | EXstatic | EXstatic | EXstatic |
| | 310 | 311 | 312 | 312 |
| E1 | 70 | 45/80 | 40 | 40 |
| E2 | 25 | | 57 | 52 |
| D1 | 25 | 25 | 25 | 25 |
| D2 | | 50.5/64 | 90 | 84 |

| EXstatic process connector | | | |
|----------------------------|---|---|---|
| | A | B | C |
| | Varivent | TriClamp | BioControl D50 |
| |  |  |  |
| Mea- surements [mm] | EXstatic | EXstatic | EXstatic |
| | 315 | 315 | 315 |
| E1 | 34 | 34 | 34 |
| D1 | 25 | 25 | 25 |
| D2 | 84 | 50.5/64 | 90 |

1.4 Environmental conditions

Ambient temperature -10...70 °C

Transport and storage temperature -20...80 °C

1.5 EXstatic 3XX process conditions

Max. permissible pressure PS: 10 bar

Max. permissible temperature TS: 140 °C

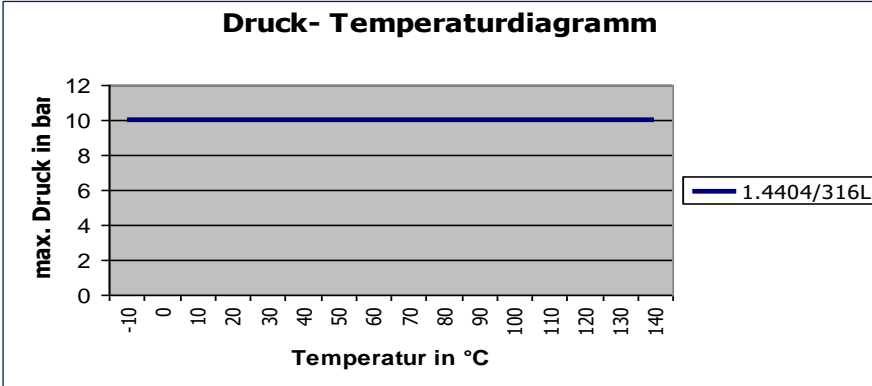


Fig. 1: EXstatic pressure-temperature diagram

1.6 Identification plate

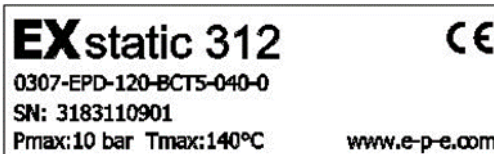


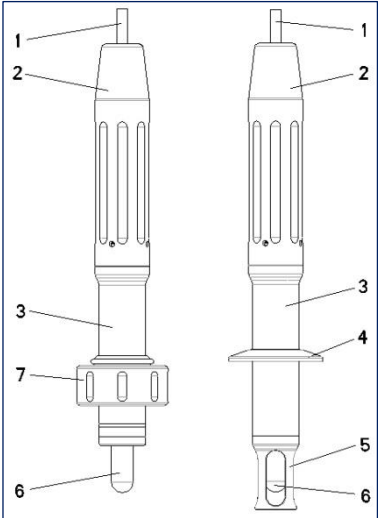
Fig. 2: Identification plate

In case of queries, please contact your dealer directly.

2 Product description

2.1 Static probe housing EXstatic

2.1.1 Components



| | |
|---|------------------------------|
| 1 | Sensor cable |
| 2 | Protection Cap |
| 3 | Probe housing |
| 4 | Process Connection Tri Clamp |
| 5 | Protection cage |
| 6 | Sensor |
| 7 | Union nut |

Fig. 3: EXstatic probe housing

2.1.2 Versions

The static probe housings are attached to tanks or pipes by an applicable process connection. In order to comply with the various process properties, the probe housing EXstatic is manufactured from stainless steel and plastic. Moreover, you can choose between different process connectors, sealing materials and surfaces. Optionally, the probe housing is available with or without a protection cage.”

2.2 Process integration

Static probe housing

The EXstatic probe housing can be fixed on a process tank or pipes by the process connection. The protection cage protects the sensor against damage caused by process liquid.

Transmitter

The static probe housing inserts a sensor in the process liquid transmitting its measuring results to a transmitter.

PLS

The transmitter can be connected with a process control system. The measuring is then controlled automatically according to the measuring results.

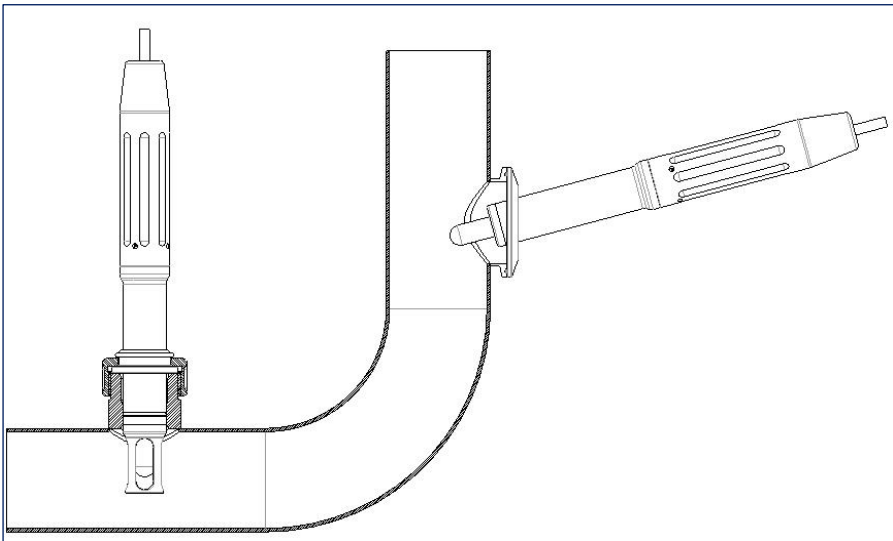


Fig. 4: Process integration

Process connector/Pressure/Temperature

For choosing the appropriate probe housing, process and temperature conditions of the process are applicable. The static probe housing of stainless steel can be used for a pressure of up to 10 bar and temperature between -10 °C and 140 °C.

NOTE

Observe the pressure and temperature diagrams in Chapter 3.6 "EXstatic 3XX process conditions"

Installation position

Basically, the static probe housing can be operated in any position. In order to obtain reliable measurement results, the sensor properties are decisive.

3 Ordering structure

3.1 EXstatic 310 probe housing - G 1 1/4" connection

| | | | | | |
|-------------------------|-------------|---|--------------------------------|-------------------|--------------------------------|
| | Code | Probe housing, material (wetted parts) | | | |
| | 4408 | Stainless steel, 1.4404 / 316L Ra0,8 | | | |
| | 0404 | Stainless steel, 1.4404 / 316L Ra0,4 | | | |
| | XXXX | Special version | | | |
| | | Code | Material (wetted parts) | | |
| | | EDP | EPDM | | |
| | | FPM | FPM | | |
| | | XXX | Special version | | |
| | | | Code | Sensor | |
| | | | 120 | 120 mm PG 13.5 | |
| | | | XXX | Special version | |
| | | | | Code | Process connection |
| | | | | D32 | G1 1/4" union nut OP25 |
| | | | | XXX | Special version |
| | | | | Code | Immersion depth |
| | | | | 070 | 70 mm under process connection |
| | | | | XXX | Special version |
| | | | | Code | Protection cage |
| | | | | 0 | Without |
| | | | | 1 | With protection cage |
| | | | X | Special version | |
| EXstatic 310 | | | | Order code | |

3.2 EXstatic 311 probe housing - TriClamp connection

| Code | Probe housing, material (wetted parts) | |
|--------------|--|-------------------|
| 4408 | Stainless steel, 1.4404 / 316L Ra0,8 | |
| 0404 | Stainless steel, 1.4404 / 316L Ra0,4 | |
| XXXX | Special version | |
| Code | Material (wetted parts) | |
| EDP | EPDM | |
| FPM | FPM | |
| XXX | Special version | |
| Code | Sensor | |
| 120 | 120 mm PG 13.5 | |
| XXX | Special version | |
| Code | Process connection | |
| TC15 | TriClamp 1-1.5" (OD 50.5mm) | |
| TC20 | TriClamp 2,0" (OD 64 mm) | |
| XXXX | Special version | |
| Code | Immersion depth | |
| 040 | 45 mm under process connection | |
| 080 | 80 mm under process connection | |
| XXX | Special version | |
| Code | Protection cage | |
| 0 | Without | |
| 1 | With protection cage | |
| X | Special version | |
| EXstatic 311 | | Order code |

3.3 EXstatic 312 probe housing - hygienic connection

| | | | | | | |
|-------------------------|-------------|---|--------------------------------|---------------------------|--------------------------------|------------------------|
| | Code | Probe housing, material (wetted parts) | | | | |
| | 4408 | Stainless steel, 1.4404 / 316L Ra0,8 | | | | |
| | 0404 | Stainless steel, 1.4404 / 316L Ra0,4 | | | | |
| | XXXX | Special version | | | | |
| | | Code | Material (wetted parts) | | | |
| | | EDP | EPDM | | | |
| | | FPM | FPM | | | |
| | | XXX | Special version | | | |
| | | Code | Sensor | | | |
| | | 120 | 120 mm PG 13.5 | | | |
| | | XXX | Special version | | | |
| | | | Code | Process connection | | |
| | | | IN25 | Varivent N DN40-125 | | |
| | | | BCT5 | NEUMO BioControl D50 | | |
| | | | XXXX | Special version | | |
| | | | | Code | Immersion depth | |
| | | | | 040 | 40 mm under process connection | |
| | | | | XXX | Special version | |
| | | | | | Code | Protection cage |
| | | | | | 0 | Without |
| | | | | 1 | With protection cage | |
| | | | | X | Special version | |
| EXstatic 312 | | | | | Order code | |

3.4 EXstatic 315 probe housing 15° inclined

| | | | | | | |
|-----------------|-------------|---|--------------------------------|-----------------|-----------------------------|--------------------------------|
| EXstatic 315 | Code | Probe housing, material (wetted parts) | | | | |
| | 4408 | Stainless steel, 1.4404 / 316L Ra0,8 | | | | |
| | 0404 | Stainless steel, 1.4404 / 316L Ra0,4 | | | | |
| | XXXX | Special version | | | | |
| | | Code | Material (wetted parts) | | | |
| | | EDP | EPDM | | | |
| | | FPM | FPM | | | |
| | | XXX | Special version | | | |
| | | | Code | Sensor | | |
| | | | 120 | 120 mm PG 13.5 | | |
| | | | XXX | Special version | | |
| | | | | Code | Process connection | |
| | | | | VARN | Varivent N DN40-125 | |
| | | | | TC15 | TriClamp 1-1.5" (OD 50.5mm) | |
| | | | | TC20 | TriClamp 2,0" (OD 64 mm) | |
| | | | | BCT5 | NEUMO BioControl D50 | |
| | | | | XXXX | Special version | |
| | | | | | Code | Immersion depth |
| | | | | | 070 | 34 mm under process connection |
| | | | | | XXX | Special version |
| | | | | | Code | Protection cage |
| | | | | | 0 | Without |
| | | | | | X | Special version |
| | | | | | Order code | |

4 Spare parts and accessories

The probe housing serial number must always be quoted for spare parts and accessories orders.

4.1 Certificates

| EXstatic | Certificates | Order code |
|-----------------------|--|--------------|
| 310 / 311 / 312 / 315 | EN10204-2.2 for surface finishing (wetted parts) | 2-121-01-001 |
| 310 / 311 / 312 / 315 | EN10204-3.1 for material (wetted parts) | 2-121-01-002 |

4.2 Weld-in socket G 1 1/4" connection

| EXstatic | Description | Order code |
|----------|--|--------------|
| 310 | Safety weld-in socket straight, 40 mm, 1.4435/316L | 2-087-33-001 |
| 310 | Safety weld-in socket 15°, 40 mm, 1.4435/316L | 2-087-33-002 |

4.3 Sealing kits

| EXstatic | Spare part | Order code |
|-----------------|--------------------------------|--------------|
| 310 | EPDM (FDA, USP VI) sealing set | 2-123-20-001 |
| | FPM sealing kit | 2-123-20-002 |
| 311 / 312 / 315 | EPDM (FDA, USP VI) sealing set | 2-123-20-003 |
| | FPM sealing kit | 2-123-20-004 |

4.4 Protective caps

| EXstatic | Description | Order code |
|-----------------------|-------------------------|--------------|
| 310 / 311 / 312 / 315 | Protection cap EXstatic | 2-152-26-001 |

For Support, Contact:



www.southforkinstruments.com

Tel: 925 461 5059



Exner Process Equipment GmbH
Carl-Metz-Str. 26
D-76275 Ettlingen
Germany

tel +49 (0)7243-94 54 29-0
fax +49 (0)7243-94 54 29-99
mail info@e-p-e.de

www.e-p-e.com