

EXtract 850M for sensors with length 120mm



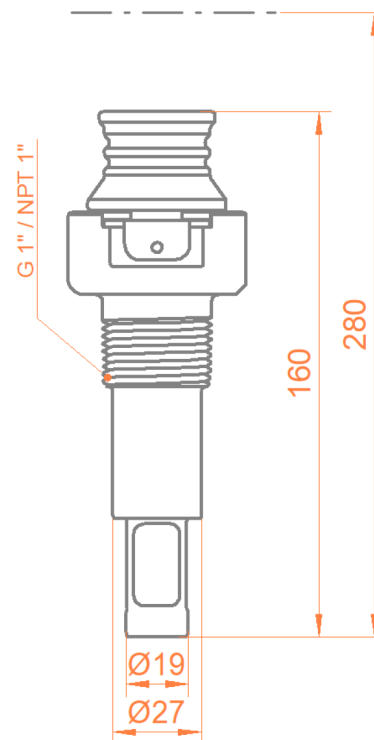
- » Optionally with or without cable protection
- » Can be operated by hand up to 2 bar process pressure
- » Protection cage can be adjusted when unlocked
- » Locking of the immersion tube in the end positions "Measurement" or "Service"
- » 76 mm immersion depth (with protection cage extended)
- » Further process connections upon request

EXtract 850M is a simple, manually operated retractable probe housing made of stainless steel or plastic. It is suitable for installing Ø12-120mm sensors on tanks and pipes.

Specifications

Process pressure:	0...6 bar
Process temperature:	10...80 °C
Ambient temperature:	-10...70 °C
Sensors:	120 mm Ø 12 PG13.5
Material:	Stainless steel 1.4404 (316L) < Ra 0.78µm; PP
Sealings:	EPDM; FPM (Viton)
Process connections:	Thread NPT 1"; Thread G 1"; Ingold DN25 G 1¼"
Drive unit:	manually operated; axially movable
Feedback:	without
Length of protection cage:	36 mm

Dimensions



Contact:



www.southforkinstruments.com

Tel: 925 461 5059

EXtract 850M for sensors with length 120mm



EXtract 850M - version without cable protection



EXtract 850M with Ingold connection and cable protection

Order code

Code	Material (wetted parts)	Delivery time
PP	PP	2 Weeks
4404	Stainless steel 1.4404 / 316L	2 Weeks
Code	Sealing material (wetted sealings)	Delivery time
EPD	EPDM/FDA/USP VI	2 Weeks
FPM	FPM (Viton)	2 Weeks
Code	Sensor type	Delivery time
120	120mm PG 13,5 Ø12mm	2 Weeks
Code	Process connection	Delivery time
N10	MNPT 1"	2 Weeks
G10	Thread G1" male	2 Weeks
IN28	Ingold DN25 G1 1/4" O-Ring-position 28mm	2 Weeks
Code	Cable protection	Delivery time
0	without	2 Weeks
1	with cable protection	2 Weeks