

EXtract 811 stainless steel, extended immersion



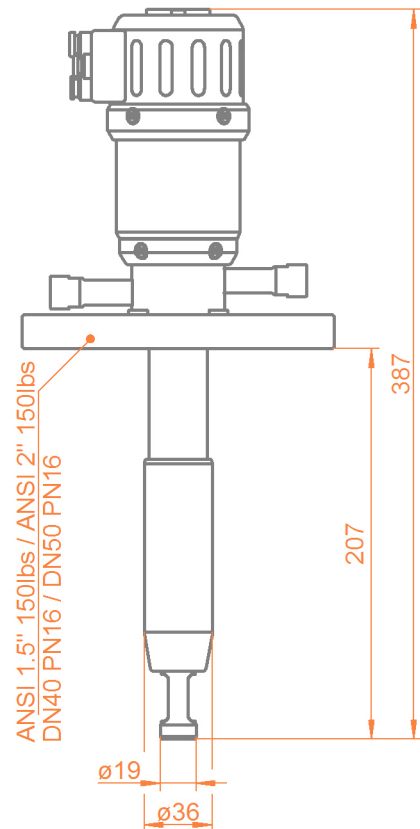
- › Robust design, integrated scraper
- › Extension of sensor-lifetime and reducing of maintenance efforts
- › Automatic safety lock while sensor is removed
- › Plug and play installation, colour- and size-coded connection system
- › Integrated limit switches
- › Usable in ATEX-areas
- › Immersion length up to 207mm

EXtract 811 is a retractable holder made of stainless steel for installation of Ø12-325mm sensors on tanks or pipelines with an extended immersion length up to 207mm

Specifications

Process pressure	0...16bar
Process temperature	-10...140°C
Ambient temperature	-10...70°C
Immersion length	up to 207mm
Sensors	Ø12-325mm PG 13.5
Materials	stainless steel 1.4404 /316L, Alloy C22 (2.4602)
Sealings	EPDM, FPM (Viton), FFKM (Kalrez)
Process connection	Flange DN50 PN16 / DN40 PN16 / ANSI 2" 150lbs / ANSI 1 ½" 150lbs
Cleaning ports	G1/8", G1/4", FNPT 1/4"
Power	compressed air 4..6 bar
Limit switches	pneumatic, integrated

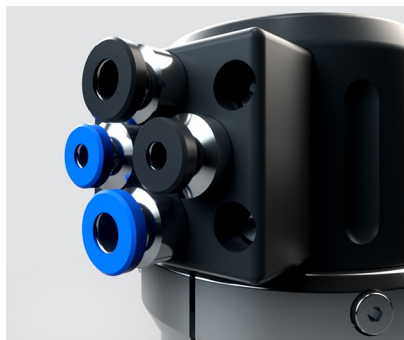
Dimensions



Certificates



EXtract 811 stainless steel, extended immersion



Connection board EXtract



Protecting cage in process position



Installation on EXtract 820 with flow vessel EXflow720

Ordercode

Code	Material (wetted parts)	Delivery
4404	Stainless steel 1.4404 / 316L	2 weeks
HC22	Alloy C22 2.4602	5 weeks

Code	Sealing Material (wetted sealings)	Delivery
EPD	EPDM/FDA/USP VI	2 weeks
FPM	FPM (Viton)	2 weeks
FKM	FFKM (Kalrez)	3 weeks

Code	Sensor type	Delivery
325	325mm PG 13,5 gel-filled	2 weeks
380	380mm PG 13,5 liquid filled	2 weeks

Code	Process Connection	Delivery
D40	Flange DN40 PN16	2 weeks
D50	Flange DN50 PN16	2 weeks
A12	Flange ANSI 1 1/2" 150lbs	2 weeks
A20	Flange ANSI 2" 150lbs	2 weeks

Code	Cleaning Connection	Delivery
G18	G 1/8" female thread	2 weeks
G14	G 1/4" female thread	2 weeks
N14	1/4" NPT female thread	2 weeks

Code	Position switch	Delivery
PN	pneumatic	2 weeks