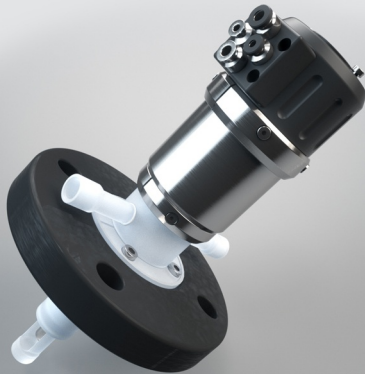


EXtract 820 plastics



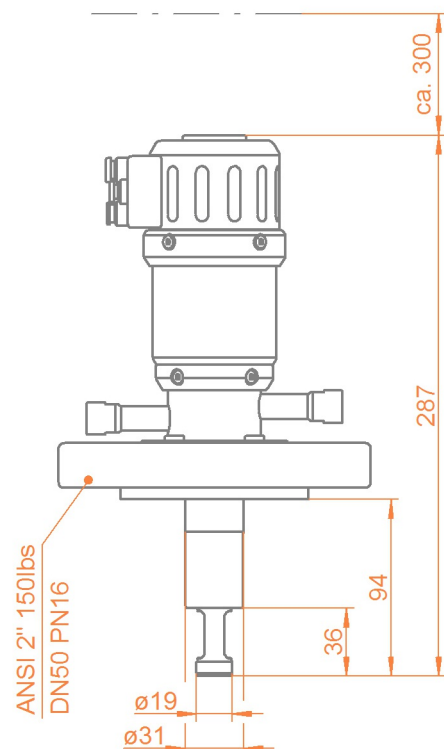
- › Robust design, integrated scraper
- › Extension of sensor-lifetime and reducing of maintenance efforts
- › Automatic safety lock while sensor is removed
- › Plug and play installation, colour- and size-coded connection system
- › Integrated limit switches
- › Usable in ATEX-areas
- › PP, PVDF, PEEK

EXtract 820 is a retractable holder made of plastics for installation of Ø12-225mm sensors on tanks or pipelines

Specifications

Process pressure	0...10bar
Process temperature	-10...140°C
Ambient temperature	-10...70°C
Immersion length	up to 94mm
Sensors	Ø12-225mm PG 13.5
Materials	PP, PVDF/Alloy C22, PEEK
Sealings	EPDM, FPM (Viton), FFKM (Kalrez)
Process connection	Flange DN50 PN16, ANSI 2" 150lbs, MNPT 1 1/4"
Cleaning ports	G1/8", G1/4", NPT 1/4"
Operating power	compressed air 4..6 bar
Limit switcher	pneumatic, integrated

Dimensions



Certificates



EXtract 820 plastics



Alloy protective cage and sensor in measuring position



Connection board EXtract



Installation on EXtract 820 with flow vessel EXflow720

Ordercode

Code	Material (wetted parts)	Delivery
PP	PP	2 weeks
PVDF	PVDF	2 weeks
PEEK	PEEK	2 weeks

Code	Sealing Material (wetted sealings)	Delivery
EPD	EPDM/FDA/USP VI	2 weeks
FPM	FPM (Viton)	2 weeks
FKM	FFKM (Kalrez)	3 weeks

Code	Sensor type	Delivery
225	225mm PG 13,5 gel-filled	2 weeks
280	280mm PG 13,5 liquid filled	2 weeks

Code	Process Connection	Delivery
D50	Flange DN50 PN16	2 weeks
A20	Flange ANSI 2" 150lbs	2 weeks
N14	NPT M 1 1/4"	2 weeks

Code	Cleaning Connection	Delivery
G18	G 1/8" female thread	2 weeks
G14	G 1/4" female thread	2 weeks
N14	1/4" NPT female thread	2 weeks

Code	Position switch	Delivery
PN	pneumatic	2 weeks