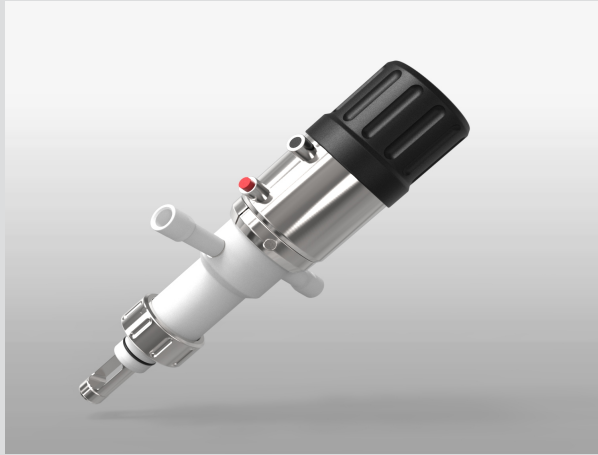


## EXtract 825M plastic for welding socket DN25



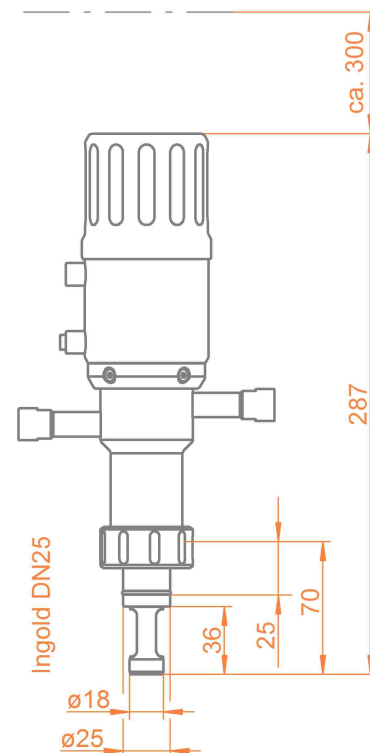
- » Robust design, integrated PTFE scraper
- » Usable for DN25 welding socket
- » Extension of sensor-lifetime and reducing of maintenance efforts
- » Automatic safety lock while sensor is removed
- » Usable in ATEX-areas
- » Immersion length 70mm
- » Up to 10 bar and 140 °C

EXtract 825M is a manually operated retractable probe housing made of plastics accommodating  $\varnothing 12\text{mm}$  process sensors for installation on welding sockets DN25 / G1 1/4" with integrated PTFE scraper for rougher processes.

### Specifications

Process pressure	0...10bar
Process temperature	-10... 140°C
Ambient temperature	-10...70°C
Immersion length	70mm
O-ring position	28mm / 50mm
Sensors	$\varnothing 12\text{-}225\text{mm}$ PG 13.5
Materials	PP, PVDF, PEEK
Sealings	EPDM, FPM (Viton), FFKM (Kalrez)
Process connection	G1 1/4" (DN25)
Cleaning ports	G1/8", G1/4", FNPT 1/4"
Position indicators	optional electrical NAMUR-switches

### Dimensions



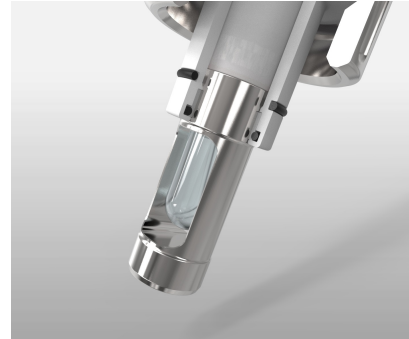
# EXtract 825M plastic for welding socket DN25



Protective cage with sensor in measuring position



Unlocking pins and position indicators on manual drive unit



Sealing system of the EXtract825 with the reliable PTFE scraper.

## Ordercode

Code	Material (wetted parts)	Delivery
PP	PP	2 weeks
PVDF	PVDF	2 weeks
PEEK	PEEK	2 weeks

Code	Sealing material (wetted sealings)	Delivery
EPD	EPDM/FDA/USP VI	2 weeks
FPM	FPM (Viton)	2 weeks
FKM	FFKM (Kalrez)	2 weeks

Code	Sensor type	Delivery
225	225mm PG 13,5 gel-filled	2 weeks
280	280mm PG 13,5 liquid filled	2 weeks

Code	Process connection	Delivery
IN25	G1 1/4" (DN25) O-ring-position 25mm	2 weeks

Code	Cleaning connection	Delivery
G18	G 1/8" female thread	2 weeks
G14	G 1/4" female thread	2 weeks
N14	1/4" NPT female thread	2 weeks

Code	Position switch	Delivery
00	without	2 weeks