

EXtract 840M manual retractable holder with ball valve



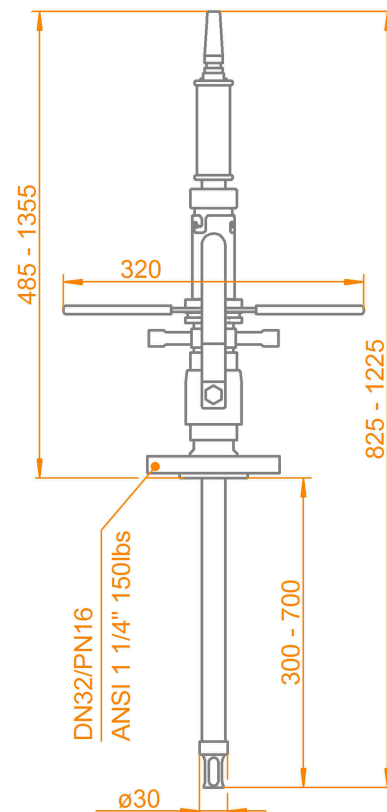
- › Robust design, with ball valve
- › Integrated sealing package
- › Automatic locking mechanism at too high process pressures
- › Stainless steel AISI 316L / 1.4404
- › Immersion length up to 700mm nominal
- › High variation of process connections
- › Applicable up to 12 bar and 130 °C

EXtract 840M is a hand-operated retractable fitting with long immersion depth and ball valve for installation of Ø12-120mm sensors on tanks with unique safety lock against unintentional unlocking at too high process pressures

Specifications

Process pressure	0...12bar
Process temperature	-10...130°C
Ambient temperature	-10...70°C
Immersion length	300mm / 700mm nominal
Sensors	Ø12-120mm PG 13.5
Material	stainless steel 1.4404 / 316L
Sealings	EPDM, FPM (Viton), FFKM (Kalrez)
Process connection	Flange DN32, ANSI 1 1/4", Thread G1 1/4"
Ball valve	DN32
Cleaning ports	G1/8", G1/4", FNPT 1/4"
Operating power	manual
Limit switches	without

Dimensions



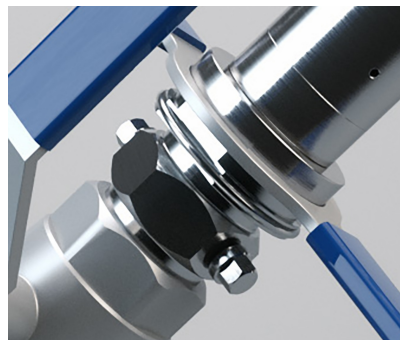
EXtract 840M manual retractable holder with ball valve



Patented safety bayonet lock



Sensor holder with protective cage



Locking crank and cleaning connections

Ordercode

Code	Material (wetted parts)	Delivery
4404	Stainless steel 1.4404 / 316L	2 weeks

Code	Sealing Material (wetted sealings)	Delivery
EPD	EPDM/FDA/USP VI	2 weeks
FPM	FPM (Viton)	2 weeks
FKM	FFKM (Kalrez)	3 weeks

Code	Immersion length	Delivery
03	300mm (nominal)	2 weeks
07	700mm (nominal)	4 weeks

Code	Sensor type	Delivery
120	120mm PG 13,5 Ø12mm	2 weeks

Code	Process Connection	Delivery
FD32O	Flange DN32 PN16 without ball valve	2 weeks
FD32B	Flange DN32 PN16 with ball valve	2 weeks
FA14O	Flange ANSI 1 1/4" 150lbs without ball valve	2 weeks
FA14B	Flange ANSI 1 1/4" 150lbs with ball valve	2 weeks
G14MO	Thread G1 1/4" male without ball valve	2 weeks
G14FB	Thread G1 1/4" female with ball valve	2 weeks
N14MO	Thread NPT G1 1/4" male without ball valve	2 weeks

Code	Cleaning Connection	Delivery
G18	G 1/8" female thread	2 weeks
G14	G 1/4" female thread	2 weeks
N14	1/4" NPT female thread	2 weeks