

Backscatter TriClamp Process Probe

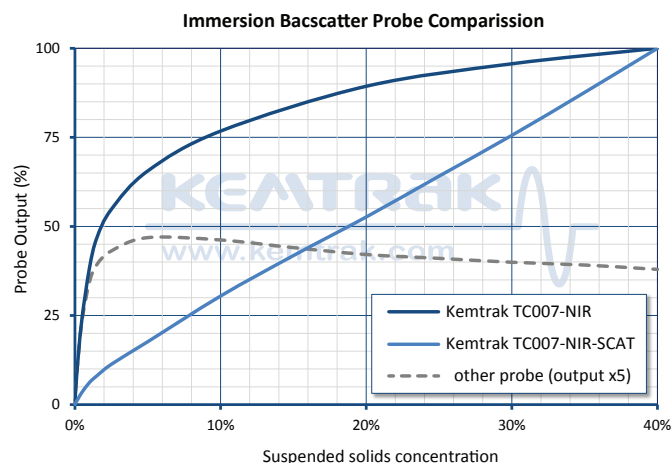
Applications:

- Interface detection
- Concentration measurement
- Product differentiation & identification
- Control & optimize CIP cycles

The Kemtrak backscatter TriClamp process probe is designed to accurately measure suspended solids directly in pipelines. The probe uses a standard DN25/1" TriClamp sanitary type process connection making it suitable for direct mounting on any size pipeline greater than DN50/2" diameter.

The dual fiber optic design of the immersion probe provides high resolution at low turbidity with excellent linearity all the way up to high concentrations when used with a Kemtrak NBP007 near-infrared backscatter photometer.

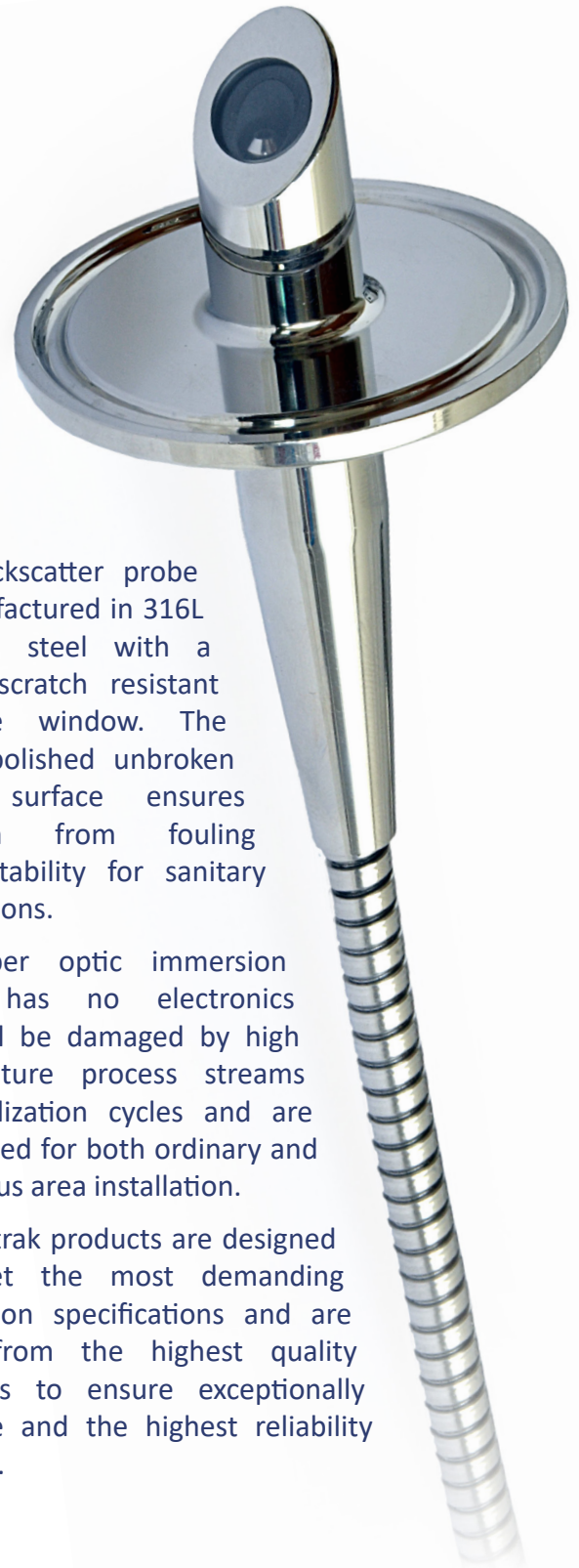
A unique benefit of the Kemtrak backscatter immersion probe is that it does not go blind at high sample concentrations. Other probes will stop working at 4 000 NTU/FNU (<1 wt% solids) after which the signal will decrease resulting in an erroneous and misleading output. The output of the Kemtrak probe will continue to increase with sample concentration ensuring a reliable measurement.



The backscatter probe is manufactured in 316L stainless steel with a robust scratch resistant sapphire window. The highly polished unbroken probe surface ensures freedom from fouling and suitability for sanitary applications.

The fiber optic immersion probe has no electronics that will be damaged by high temperature process streams or sterilization cycles and are well suited for both ordinary and hazardous area installation.

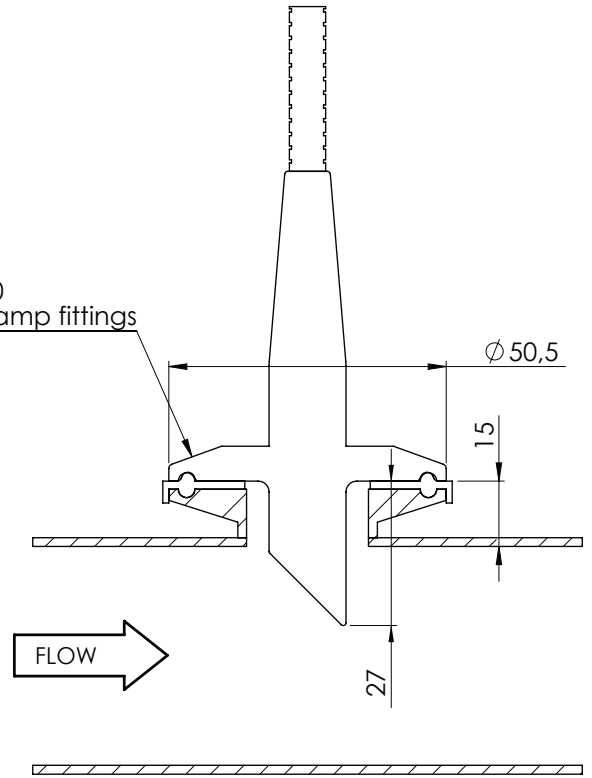
All Kemtrak products are designed to meet the most demanding application specifications and are made from the highest quality materials to ensure exceptionally long life and the highest reliability possible.



Technical Data
Backscatter TriClamp Probe



Compatible with
DN 25, DN32, DN40
1" and 1½" pipe clamp fittings



Benefits:

- 0.001% (ca. 10 NTU) to 100% total suspended solids
- Standard TriClamp type sanitary fitting (ISO 2852 & DIN 32676)
- Sapphire window is mounted from inside of probe and sealed using o-rings (no epoxy) - impossible to fall out in the process
- Suitable for ordinary and hazardous area installation

Measurement Range

0.001 % (ca. 10NTU) to 100% total suspended solids

Manifold

Sanitary Tri-Clamp® clamp type fitting
ISO 2852 & DIN 32676
Compatible with 50,5 +0/-0,19 mm outside diameter (DN25, DN32, DN40, 1" and 1½").

Material

Stainless Steel EN 1.4435 / 316L

Window

Sapphire

Surface Finish

Ra < 0.38 µm

Elastomers

FPM (FKM/Viton®), FFKM (Chemraz®/Kalrez®, FDA), EPDM (FDA)

Operating Conditions

Ambient & process temperatures up to 200°C (392°F)
Process pressure from 10 mbar to 25 bar (0,14 – 363 psi)
Operating conditions subject to material and design in use

Fibre Optic cable

Silica core photonic fiber with Kevlar® reinforced flexible
LZSH coated stainless steel jacket
Fully-interlocked stainless steel conduit for use above 85°C (185°F)
Terminated with SMA 905 connectors
5m standard (16.4ft)
Lengths up to 20m (66ft)

Protection

IP66 / EN 60529

Recommended Controller

Kemtrak TC007 backscatter photometer

KEMTRAK
www.kemtrak.com

Kemtrak AB • Box 2940 • SE-187 29 Stockholm • Sweden
Info@kemtrak.com • www.kemtrak.com

*We reserve the right to make changes
without previous notice*

South Fork Instruments, Inc.

3845 Buffalo Road
Auburn, CA 95602
USA

Tel. : +1 (925) 461 5059
info@southforkinstruments.com
<http://www.southforkinst.com>

Kemtrak is a leading manufacturer of fiber optic measuring and automation products for the process engineering industry. Kemtrak provides tailor made solutions to meet the needs of a wide range of industries including chemical, petrochemical & offshore, biotech, pharmaceutical, food & beverage, pulp and paper and water & environment. Kemtrak has trained representatives and support personnel globally and is certified according to ISO 9001:2015.