

pH/ORP Sensors

Steam sterilizable pH/ORP combination electrode with double chamber gel filled reference system.

Benefits

- Gel filled electrolyte delivers high performance and low maintenance
- Advanced reference design with dual porous PTFE ring junction resists poisoning and fouling
- Compensates for fluctuating pressure and temperature process conditions
- Durable glass with 0 to 14 pH range withstands CIP cycles and SIP up to 135 °C (275 °F)
- Integrated temperature sensor options available
- Standard 12 mm diameter design can be accommodated in both fixed and retractable housings
- NEMA 6/IP68 rated plug-in cable system provides the convenience of a quick connect with the reliability of a fixed cable
- Full range of installation fittings and accessories available

Applications

Biopharma

- Fermentation
- Cell Culture
- Chromatography
- Filtration
- Buffer Preparation

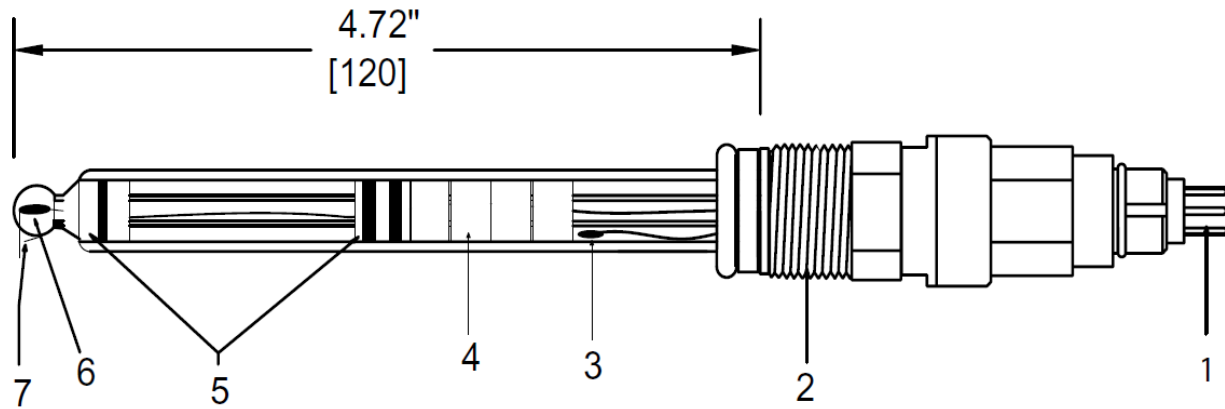
Food and Beverage processing

- CIP
- Process Water Monitoring
- Leak Detection



General Specifications

Parameter		pH	ORP
Process Connection		Pg13.5 thread (fixed or free turning)	
Measured Values	pH	0 to 14 ±0.05 pH	—
	ORP	0 to 11pH	—
	Temperature	—	-1500 to +1500 ±3 mV
Process Temperature Range		-5 to 135°C	
Process Pressure Range		0 to 34.4 bar (0 to 500 psig) @ 25°C	
pH Impedance		150 MΩ at 25°C / 77°F	—
Minimum Conductivity		10 μS/cm	
Response Time		95 % of reading in 10 seconds (@ 25°C / 77°F)	
Storage Temperature		0 to 50°C / 32°F to 122°F	
Connector Ingress Protection		NEMA 6/IP68	
Electrode Length		120 mm / 4.72"	
Process Contact Materials	Sensor	Lead-free glass	Platinum/Glass
	Reference System	PTFE / saturated KCl / AgCl	



1. NEMA 6 waterproof plug-in connector
2. PG13.5 mounting threads (fixed or free turning)
3. Ag/AgCl reference element
4. Salt rings
5. Teflon diaphragm
6. Ag/AgCl measuring element
7. pH membrane glass

Related Equipment and Accessories

- OPM223/253 Analog Transmitters
- pH Cables/Extension Cables
- Static Probe Holders/Adapters
- Manual and Automatic Probe Retractors
- Automated Cleaning Systems
- Inline Flow Cells
- Calibration Buffers

Contact us for details